



# SWECO Vibro Energy Screens

## CONTACT US

Phone: 310-830-6601

FAX: 310-830-9336

Email: info@sepor.com  
& services@sepor.com

## LOCATIONS

### WEST COAST

718 N. Fries Avenue  
Wilmington, CA 90744

### EAST COAST

3740 NW 124th Ave  
Coral Springs, FL 33065



**18" Dia., 2 Deck  
Vibro Energy Screen**

## Description:

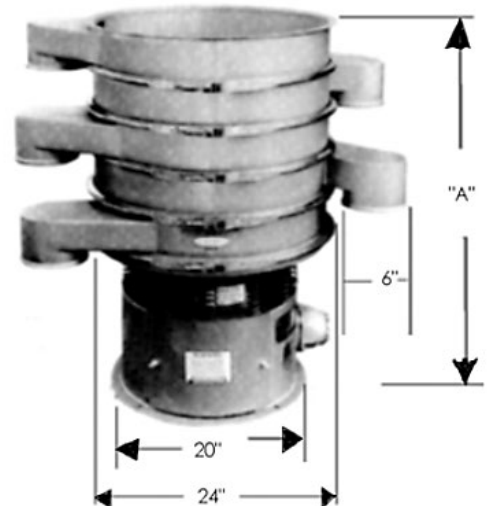
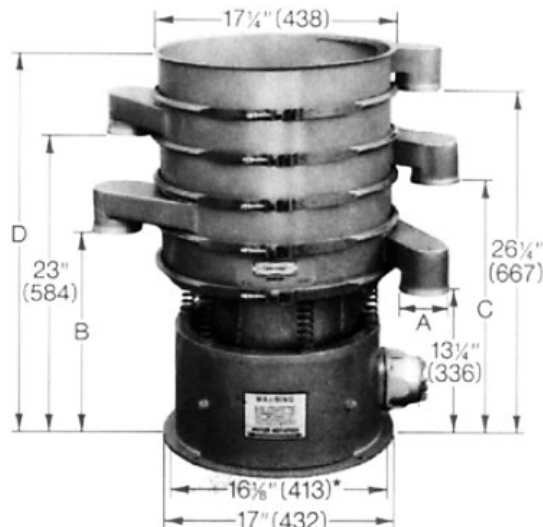
This series of high frequency, short stroke screen decks are ideally suited for classifying fine material, 10 mesh to 325 mesh. The 18 inch and 24 inch models are used in laboratories for screening large samples, while most of the larger sizes are used in pilot plant applications. The 18 and 24 inch models are available in up to 4 screen decks, while larger sizes are only available in 1, 2 or 3 deck versions.

## Product Description

The vibro-energy screens vibrate about its center of mass. Vibration is accomplished by eccentric weights on the upper and lower ends of the motion-generator shaft. Rotation of the top weight creates vibration in the horizontal plane, which causes the material to move across the screen

cloth to the periphery. The lower weight acts to tilt the machine, causing vibration in the vertical and tangential planes. The angle of lead given the lower weight with relation to the upper weight provides variable control of the spiral screening pattern. Speed and spiral pattern of material travel over the screen cloth can be set by the operator for maximum throughput and screening efficiency of any screenable product, wet or dry, heavy or light, coarse or fine, hot or cold.

Vibro-energy screens are available in one to four decks, 18 inch diameter through 72 inch diameter models, with electrical requirements ranging from 110V/1 ph (for 18" & 24" screens) to 220, 440 V/3 Ph/60 Hz, or 380 V/3 Ph/50 Hz for all models. Since no vibration is transmitted to the floor, no special foundation is required for installation of a vibro-energy screen.



Catalog Number	Description
040C-181	18 inch diameter, 1 deck, 220 V/1 Ph/60 Hz, or 220 V/1 Ph/ 50 Hz
040C-182	18 inch diameter, 1 deck, 220 V/1 Ph/60 Hz, or 220 V/1 Ph/ 50 Hz
040C-183	18 inch diameter, 1 deck, 220 V/1 Ph/60 Hz, or 220 V/1 Ph/ 50 Hz
040C-184	18 inch diameter, 1 deck, 220 V/1 Ph/60 Hz, or 220 V/1 Ph/ 50 Hz
040C-188	18 inch diameter self cleaning kit, normally used for -80 mesh
040C-189	18 inch diameter cover for top deck
040C-241	24 inch diameter, 1 deck, 230 V/3 Ph/60 Hz, or 380 V/3 Ph/ 50 Hz
040C-242	24 inch diameter, 1 deck, 230 V/3 Ph/60 Hz, or 380 V/3 Ph/ 50 Hz
040C-243	24 inch diameter, 1 deck, 230 V/3 Ph/60 Hz, or 380 V/3 Ph/ 50 Hz
040C-244	24 inch diameter, 1 deck, 230 V/3 Ph/60 Hz, or 380 V/3 Ph/ 50 Hz
040C-248	24 inch diameter self cleaning kit, normally used for -80 mesh
040C-249	24 inch diameter cover for top deck
040C-301	30 inch diameter, 1 deck, 230 V/3 Ph/60 Hz, or 380 V/3 Ph/ 50 Hz
040C-302	30 inch diameter, 2 deck, 230 V/3 Ph/60 Hz, or 380 V/3 Ph/ 50 Hz
040C-303	30 inch diameter, 3 deck, 230 V/3 Ph/60 Hz, or 380 V/3 Ph/ 50 Hz
040C-308	30 inch diameter self cleaning kit, normally used for -80 mesh
040C-309	30 inch diameter cover for top deck

