



Sepor Pilot Plants & Process Equipment

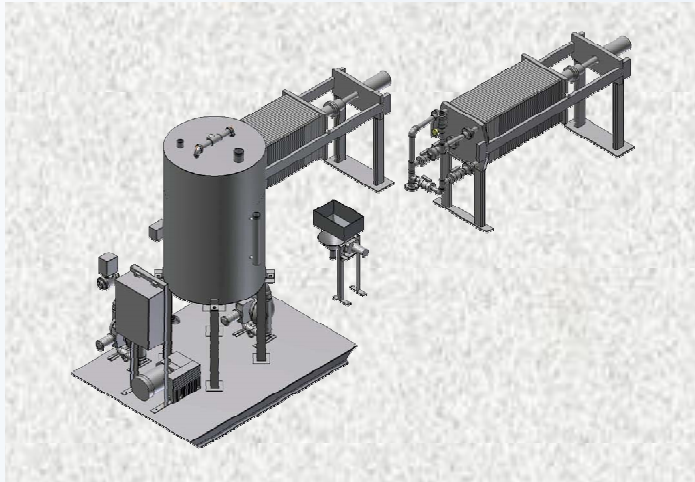
718 N Fries Ave

Wilmington, CA USA 90744

(310)830-6601

www.sepor.com

info@sepor.com



For decades, Sepor has been the 'Go To' provider of quality process equipment, from bench scale to pilot plant.

Our Merrill Crowe zinc precipitation plants for recovering gold from leach solution have been utilized through out the world, and are known for their reliability and simplicity of operation.



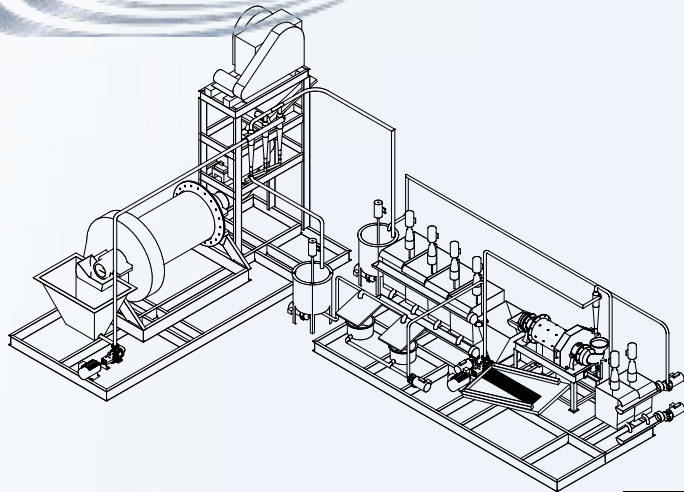
718 N Fries Ave

www.sepor.com

Wilmington, CA USA 90744

info@sepor.com

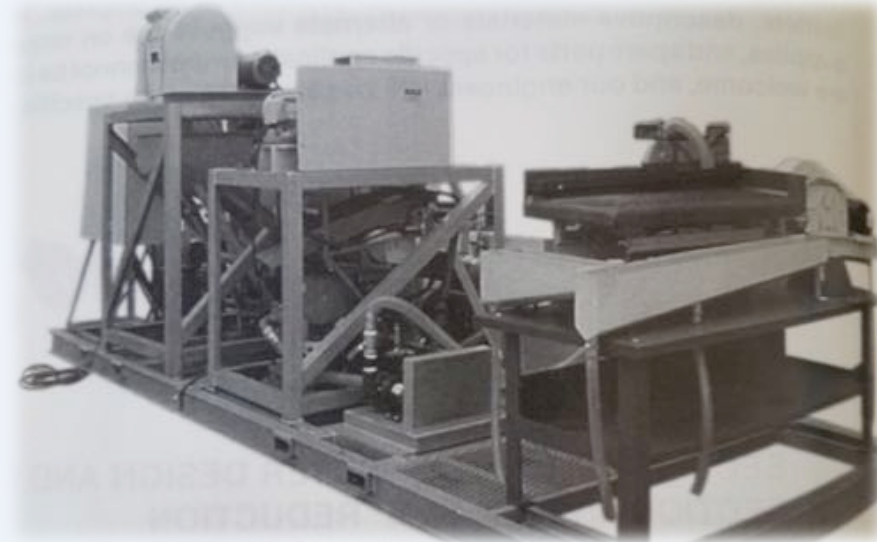
(310)830-6601



Model	10T/0012	SEP	SEPOR INC
Year			
Capacity			10 TON/DAY Gravity-Float Circuit
Material			
Unit		10T	10T
QTY	1	1	Complete 10 Ton per day plant
Notes			

Sepor can build the plant that you need to handle your material.

Whether you require crushing and grinding; leaching or gravity separation; flotation or filtration.....



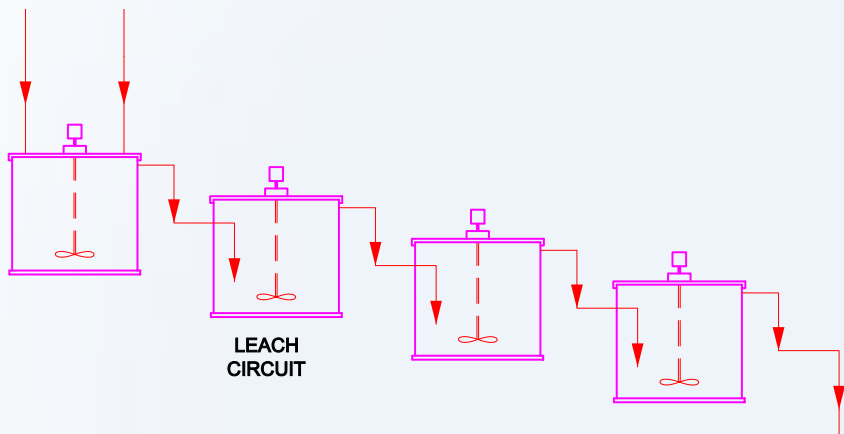
718 N Fries Ave

www.sepor.com

Wilmington, CA USA 90744

(310)830-6601

info@sepor.com



Whether you need only the equipment to be fabricated or if you would like installation and commissioning...

.....Sepor has the team that can do the job for you.



718 N Fries Ave

www.sepor.com

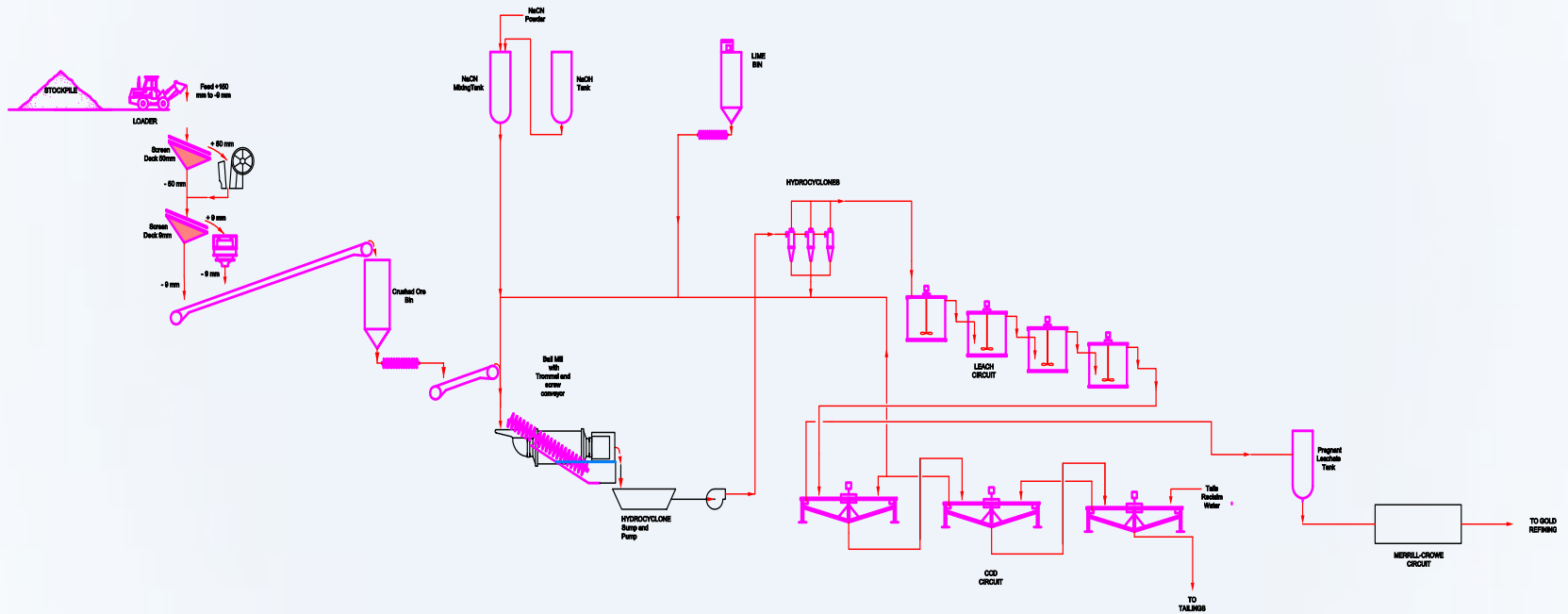
Wilmington, CA USA 90744

(310)830-6601

info@sepor.com



Bring us a design and we can build it for you.....



718 N Fries Ave

www.sepor.com

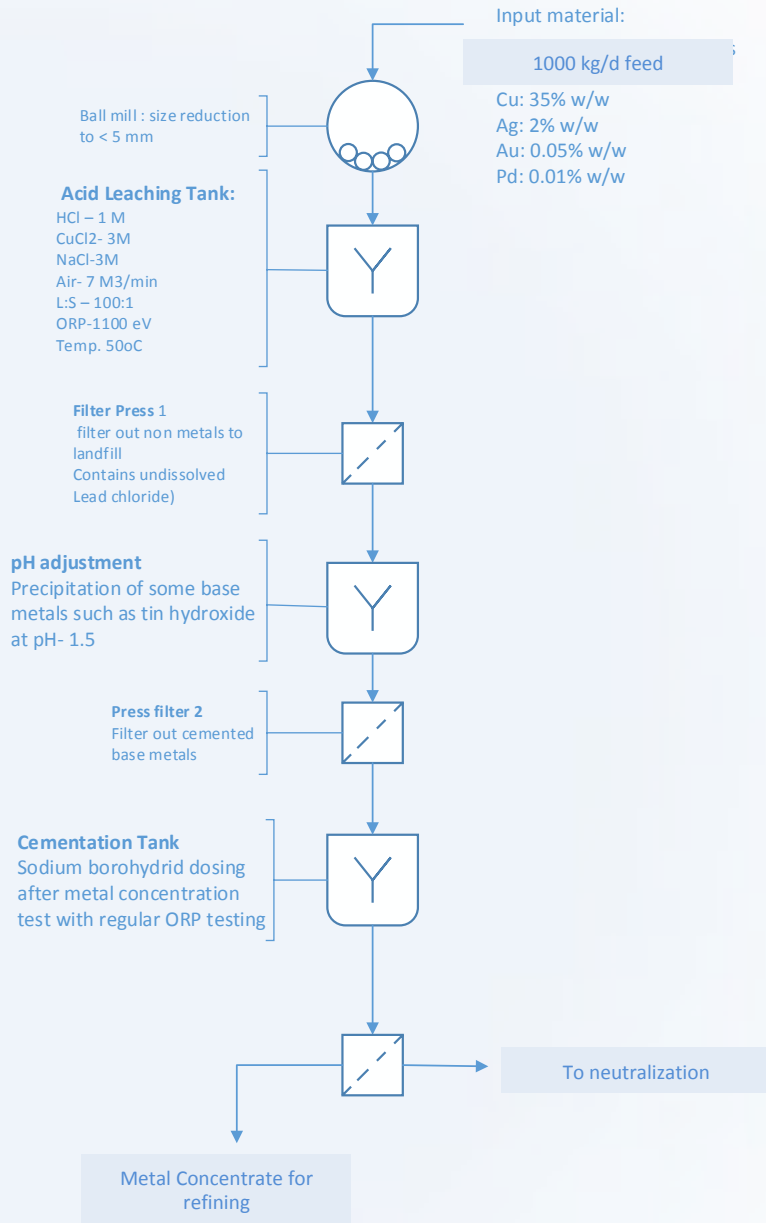
Wilmington, CA USA 90744

(310)830-6601

info@sepor.com



....or just let us know your concept,
we can review and give you our
design recommendations.



718 N Fries Ave

www.sepor.com

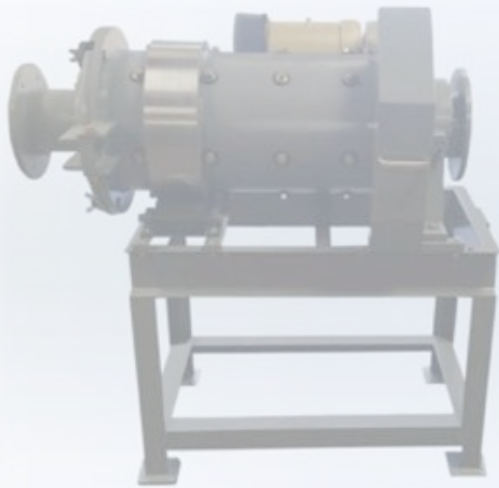
Wilmington, CA USA 90744

info@sepor.com

(310)830-6601



Sepor Pilot Plants & Process Equipment



Agitation Tank Shown With Optional Slurry Pump, Recirculation Piping, Controls, And Skid Mounted

718 N Fries Ave

www.sepor.com

Wilmington, CA USA 90744

info@sepor.com

(310)830-6601